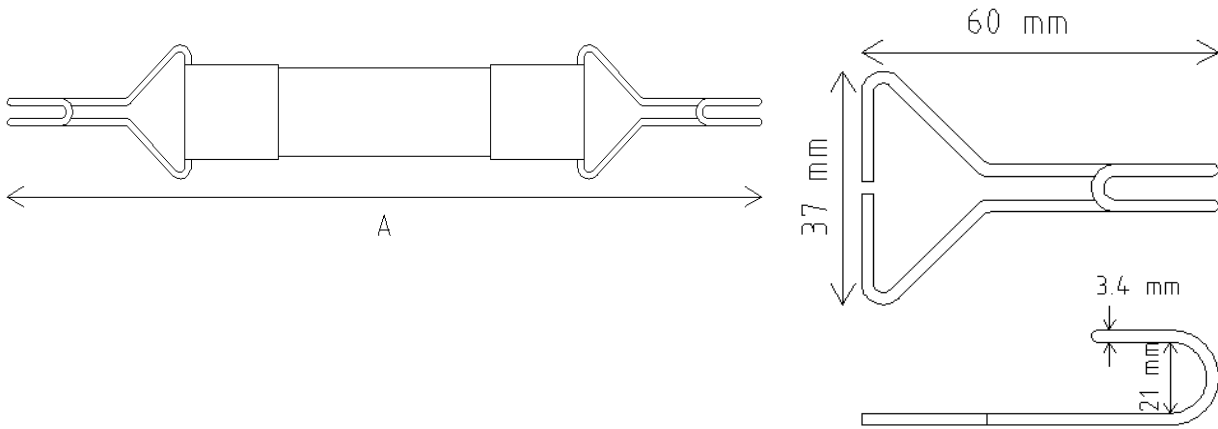


## Specification sheet Flat Bungee Cord with Two Double Wire Hooks



Art ref	<b>FT252260YE/NO</b>	<b>FT252280BL</b>	<b>FT2522100GI</b>																											
A - Length including hook mm	600	800	1000																											
Width of elastic tape mm	22																													
Core type	Multiflex natural rubber threads																													
Covering type	Polypropylene Yarn																													
Colour of covering	Yellow/black	Blue	Grey																											
C- Hook type	Black Double Folded Steel Hook – Masterlock type W0022 EDP Coating																													
<b>Physical properties</b>																														
Strength at 25% elongation in Newton	31																													
Strength at 50% elongation in Newton	43																													
Tested to support minimum	800 N																													
Recommended range use	20% < x < 50%																													
Tolerance	+/- 15%																													
Outer Covering	<b>HIGH DENIER UV resistant INDUSTRIAL POLYPROPYLENE YARN</b> <table style="width: 100%; border-collapse: collapse;"> <thead> <tr> <th></th> <th style="text-align: center;">Unit</th> <th style="text-align: center;">Test value</th> </tr> </thead> <tbody> <tr> <td>Denier</td> <td style="text-align: center;">D</td> <td style="text-align: center;">915</td> </tr> <tr> <td>Linear density</td> <td style="text-align: center;">dtex</td> <td style="text-align: center;">1015</td> </tr> <tr> <td>Tolerance of linear density</td> <td style="text-align: center;">+/-%</td> <td style="text-align: center;">2.5</td> </tr> <tr> <td>Break tenacity</td> <td style="text-align: center;">Cn/dtex</td> <td style="text-align: center;">3.4</td> </tr> <tr> <td>Breaking strength</td> <td style="text-align: center;">N</td> <td style="text-align: center;">34</td> </tr> <tr> <td>Breaking elongation</td> <td style="text-align: center;">%</td> <td style="text-align: center;">33</td> </tr> <tr> <td>Elongation CV</td> <td style="text-align: center;">+/-</td> <td style="text-align: center;">2.8</td> </tr> <tr> <td>Oil content</td> <td style="text-align: center;">%</td> <td style="text-align: center;">2.0</td> </tr> </tbody> </table>				Unit	Test value	Denier	D	915	Linear density	dtex	1015	Tolerance of linear density	+/-%	2.5	Break tenacity	Cn/dtex	3.4	Breaking strength	N	34	Breaking elongation	%	33	Elongation CV	+/-	2.8	Oil content	%	2.0
	Unit	Test value																												
Denier	D	915																												
Linear density	dtex	1015																												
Tolerance of linear density	+/-%	2.5																												
Break tenacity	Cn/dtex	3.4																												
Breaking strength	N	34																												
Breaking elongation	%	33																												
Elongation CV	+/-	2.8																												
Oil content	%	2.0																												
<b>Packing and labels</b>																														
Primary packing	Transparent plastic bag containing 10 pieces																													
Total pieces per carton	300	250	200																											
Carton sizes	380x380x240																													